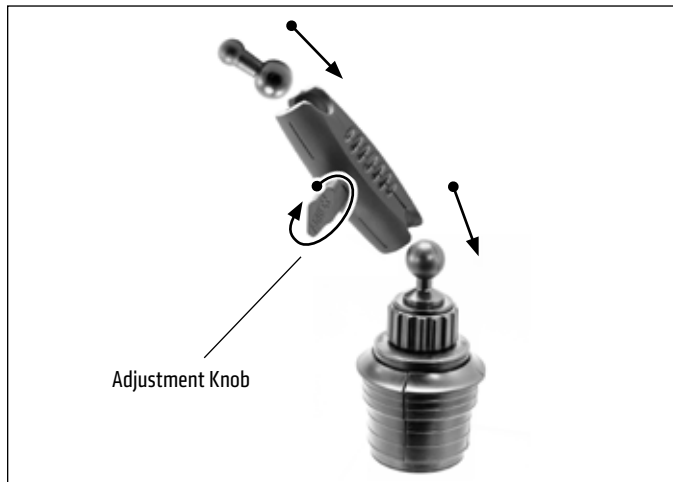


Package Contents:

- (1) **SPRM023** – Cup Holder Pedestal
- (1) **SP-RM250** – Robust Mount Shaft
- (1) **SP25MM17** – 25mm Ball to 17mm Ball Adapter



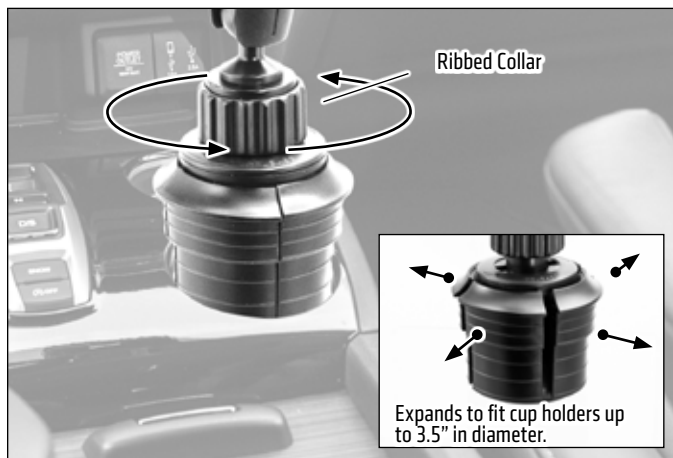
- 1** Attach Robust shaft and adapter to cup holder pedestal by unscrewing knob on pedestal to loosen. Screw knob to tighten.



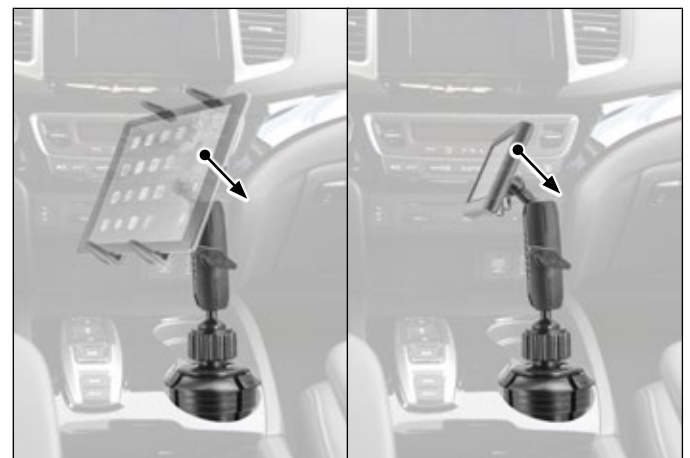
- 2** Insert mount into cup holder.



- 3** Twist ribbed collar counterclockwise to expand base to fit cup holder as needed.



- 4** Attach 17mm ball-compatible Garmin GPS or other device/holder as desired (not included).



! Safety Precautions
 Do not install Arkon products over an air bag cover or within the air bag deployment zone. Arkon Resources, Inc. assumes no responsibility of liability for injury or death as a result of car crashes and / or air bag deployment. Arkon is not responsible for any damages caused to your vehicle, your device, or yourself due to the installation or use of this mounting pedestal.

ARKON® MOUNTS

Consumer Hotline:
 USA (800) 841-0884
 INT'L (626) 254-9005
 Monday - Friday 9 am - 5 pm, PST

www.arkon.com
 Arcadia, CA 91006 USA
 Designed in USA | Made in Taiwan
 © Copyright 2018 Arkon Resources, Inc.